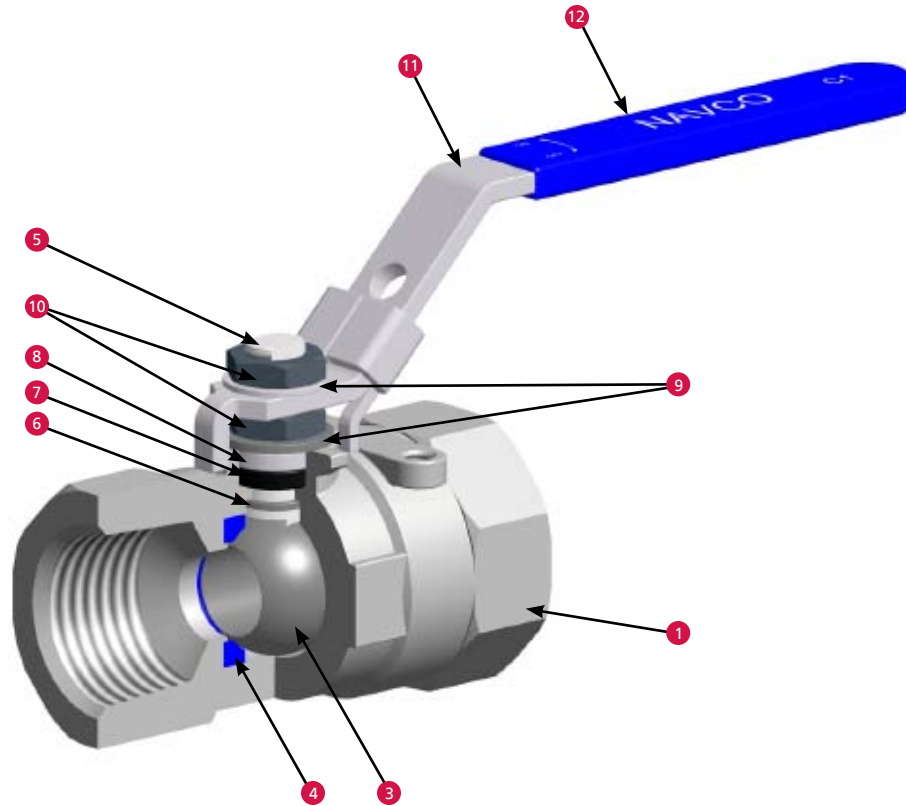


# NAVCO® C1 Ball Valve



## FEATURES AND BENEFITS

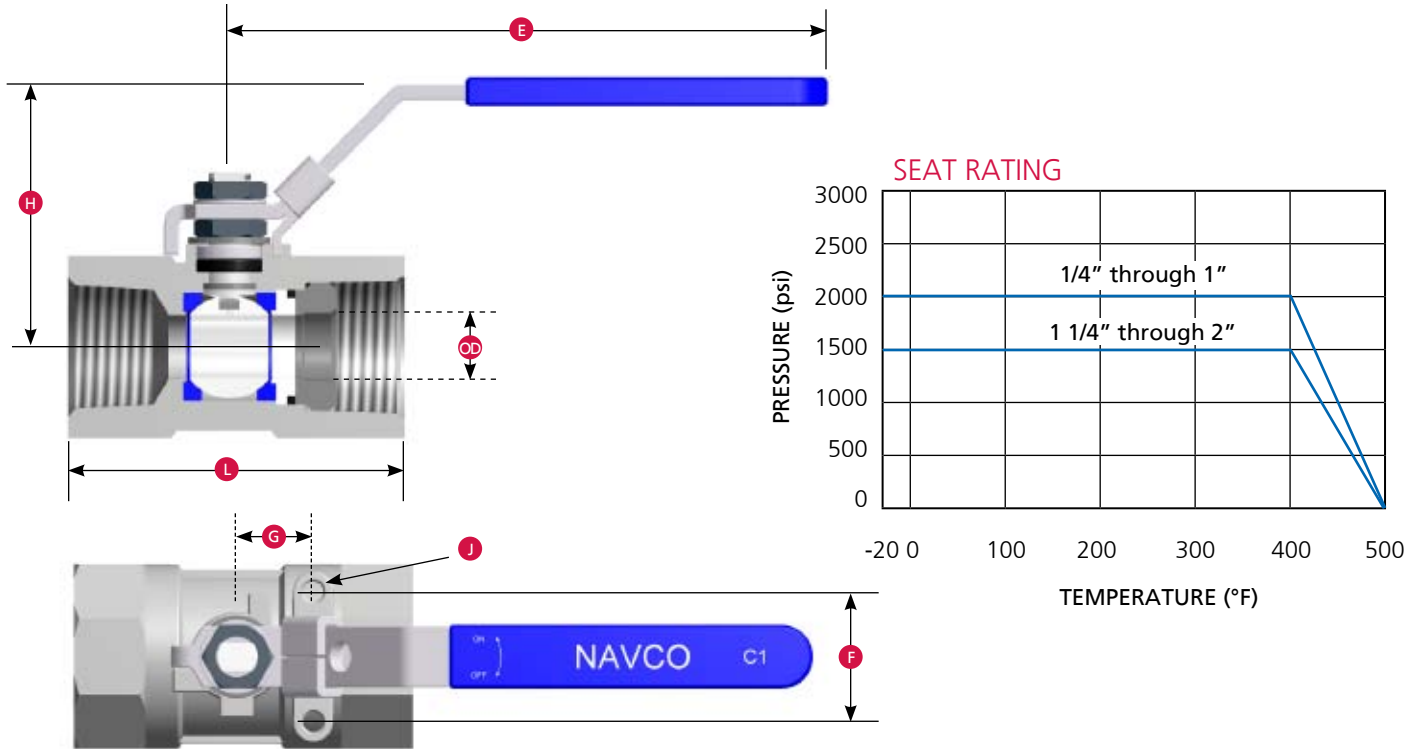
- INVESTMENT CAST BODY
- FIRE TESTED AND CERTIFIED API 607 5TH EDITION
- CONFORMS TO NACE / ISO 15156
- POSITIVELY RETAINED STEM DESIGN
- HANDLE LOCKING DEVICE
- ASME B16.34
- AVAILABLE IN CS / SS AND SS / SS
- 1 PC BALL VALVE 2000 PSI MOP

## MATERIALS LIST

| ITEM | QTY. | PART          | MATERIAL   |
|------|------|---------------|------------|
| 1    | 1    | Body          | WCB / CF8M |
| 2    | 1    | Cap*          | WCB / CF8M |
| 3    | 1    | Ball          | CF8M       |
| 4    | 2    | Seat          | PTFE       |
| 5    | 1    | Stem          | AISI 316   |
| 6    | 1    | Stem Seal     | PTFE       |
| 7    | 1    | Stem Packing  | Graphite   |
| 8    | 1    | Gland         | AISI 304   |
| 9    | 2    | Washer        | SS         |
| 10   | 2    | Nut           | A2-70      |
| 11   | 1    | Handle        | SS 201     |
| 12   | 1    | Handle Sleeve | PVC        |
| 13   | 1    | Body Gasket   | Graphite   |

\* Internal End Cap not shown

## NAVCO® C1 BALL VALVE



### DIMENSIONS

| Size            | OD             | L             | E             | H              | G              | F              | J               |
|-----------------|----------------|---------------|---------------|----------------|----------------|----------------|-----------------|
| 1/4<br>(6.43)   | 0.36<br>(9.2)  | 2.32<br>(59)  | 4.37<br>(111) | 1.73<br>(44)   | 0.50<br>(12.7) | 1.12<br>(28.5) | 10-24 UNC       |
| 3/8<br>(9.53)   | 0.36<br>(9.2)  | 2.32<br>(59)  | 4.37<br>(111) | 1.73<br>(44)   | 0.50<br>(12.7) | 1.12<br>(28.5) | 10-24 UNC       |
| 1/2<br>(12.7)   | 0.36<br>(4.2)  | 2.64<br>(67)  | 4.37<br>(111) | 1.73<br>(44)   | 0.50<br>(12.7) | 1.12<br>(28.5) | 10-24 UNC       |
| 3/4<br>(19.1)   | 0.49<br>(12.5) | 2.80<br>(71)  | 4.37<br>(111) | 2.09<br>(53)   | 0.50<br>(12.7) | 1.12<br>(28.5) | 10-24 UNC       |
| 1<br>(25.4)     | 0.63<br>(16)   | 3.31<br>(84)  | 5.43<br>(138) | 2.36<br>(60)   | 0.87<br>(22.1) | 1.37<br>(34.8) | 10-24 UNC       |
| 1 1/4<br>(31.8) | 0.79<br>(20)   | 3.70<br>(94)  | 5.43<br>(138) | 2.56<br>(65)   | 0.87<br>(22.1) | 1.37<br>(34.8) | 10-24 UNC       |
| 1 1/2<br>(38.1) | 1<br>(24.5)    | 3.94<br>(100) | 6.69<br>(170) | 2.80<br>(71)   | 0.93<br>(23.6) | 1.50<br>(38.1) | 1/4 in. - 20UNC |
| 2<br>(50.8)     | 1.26<br>(32)   | 4.65<br>(118) | 6.69<br>(170) | 3.01<br>(76.5) | 0.93<br>(23.6) | 1.50<br>(381)  | 1/4 in. - 20UNC |



### VALVES & MEASUREMENT

3250 Briarpark Drive, Suite 300  
Houston, TX 77042  
USA Toll 800 323 9160

For the most current contact and location information go to: [www.c-a-m.com](http://www.c-a-m.com)