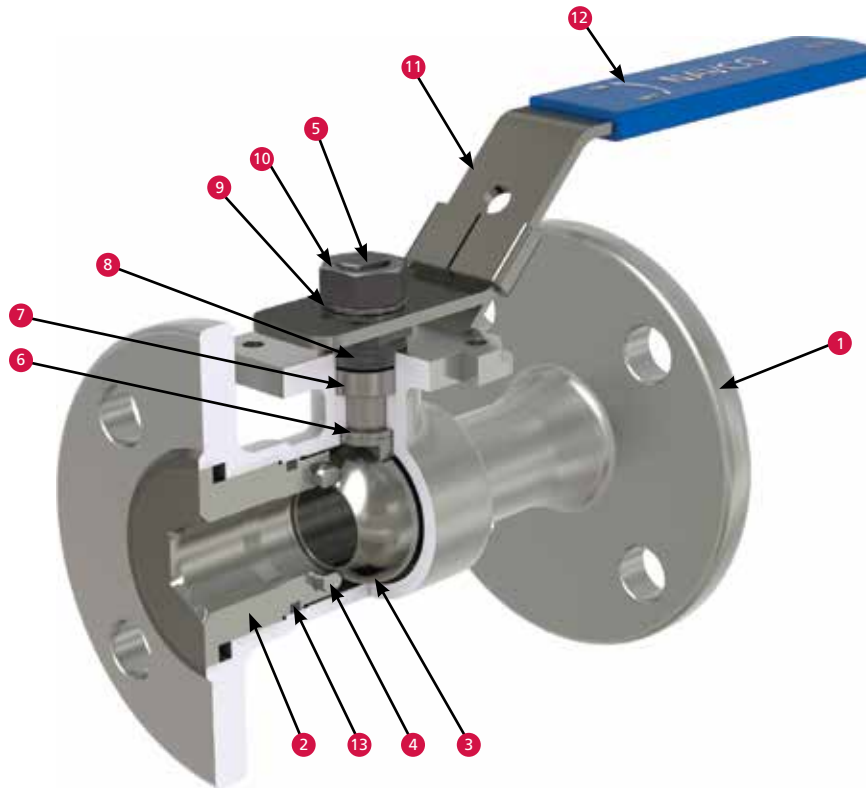


NAVCO® S10 Ball Valve

One-piece flanged-end ball valves, fire-tested and certified to API 607 5th edition

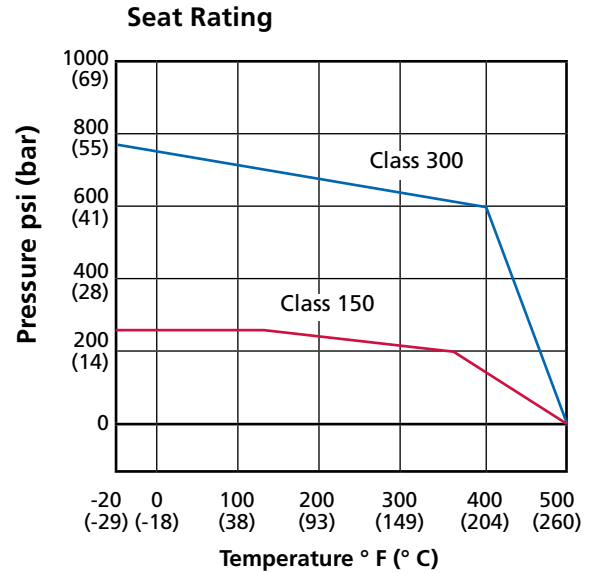
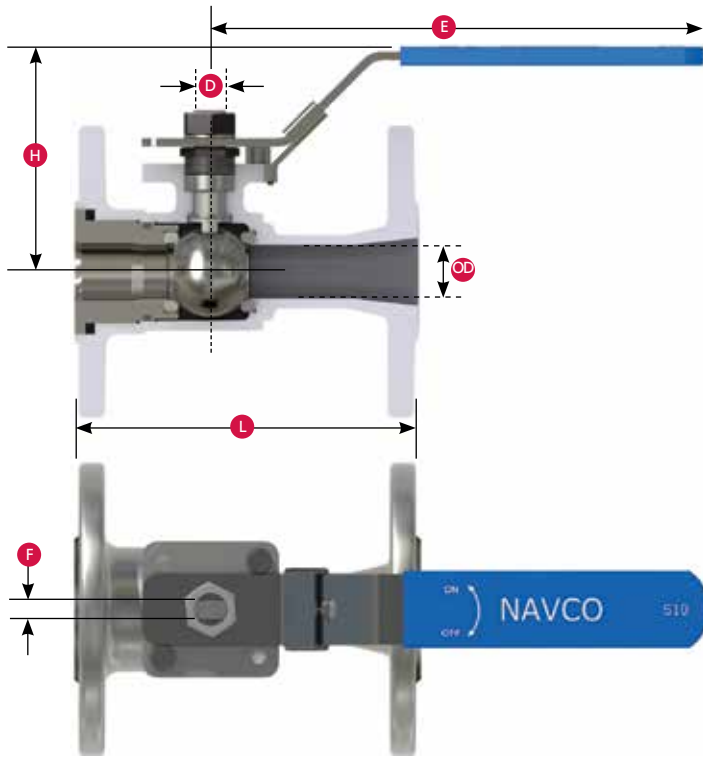


Features and Benefits

- One-piece flanged-end ball valve, reduced port
- Investment cast body
- Fire-tested and certified to API 607 5th edition
- Working pressure: ASME CLASS 150/300 specifications
- Conforms to NACE/ISO 15156
- Positively retained stem design
- Handle locking device
- ASME B16.34
- ISO mounting pad
- Available in CS/SS and SS/SS
- Optional locking oval handle

Materials List

Item	Quantity	Part	Material
1	1	Body	WCB/CF8M
2	1	Cap	WCB/CF8M
3	1	Ball	CF8M
4	2	Seat	TFM
5	1	Stem	AISI 316
6	2	Thrust Washer	RPTFE
7	1	Stem Packing	PTFE
8	1	Gland	AISI 304
9	1	Lock Washer	AISI 304
10	1	Nut	A2-70
11	1	Handle	AISI 304
12	1	Handle Sleeve	PVC
13	1	Joint Gasket	Graphite/304



Dimensions ASME Class 150

Size	Size	OD	L	E	H	D	F (mm)	ISO PAD	Cv	Torque
in.	(mm)									in-lb (N·m)
1/2	(12.7)	0.49 (12.5)	4.25 (108)	5.50 (140)	2.9 (73)	(M8 x 1.25)	(5)	F04/M5	9	62 (7 N·m)
3/4	(19.1)	0.59 (15)	4.60 (117)	5.50 (140)	3.0 (76)	(M8 x 1.25)	(5)	F04/M5	19	106 (12 N·m)
1	(25.4)	0.79 (20)	5.00 (127)	7.00 (180)	3.4 (86)	(M12 x 1.75)	(7)	F05/M6	45	160 (18 N·m)
1-1/2	(38.1)	1.00 (25.4)	6.50 (165)	7.87 (200)	4.7 (119)	(M14 x 2)	(9)	F07/M8	125	265 (30 N·m)
2	(50.8)	1.50 (38)	7.00 (178)	9.00 (230)	5.0 (127)	(M16 x 2)	(10)	F07/M8	165	354 (40 N·m)
3	(76.2)	2.56 (65)	8.00 (203)	12.80 (325)	6.5 (164)	(M22 x 2.5)	(15)	F10/M10	350	708 (80 N·m)
4	(101.6)	3.00 (76)	9.00 (230)	12.80 (325)	7.0 (178)	(M22 x 2.5)	(15)	F10/M10	550	867 (98 N·m)
6	(152.4)	4.00 (102)	15.50 (394)	13.78 (350)	10.4 (264)	(27.5)	(17)	F10/M10	765	973 (110 N·m)

ASME Class 300

1/2	(12.7)	0.49 (12.5)	5.50 (140)	5.50 (140)	2.9 (73)	(M8 x 1.25)	(5)	F04/M5	9	71 (8 N·m)
3/4	(19.1)	0.59 (15)	6.00 (152)	5.50 (140)	3.0 (76)	(M8 x 1.25)	(5)	F04/M5	19	133 (15 N·m)
1	(25.4)	0.79 (20)	6.50 (165)	7.00 (180)	3.4 (86)	(M12 x 1.75)	(7)	F05/M6	45	177 (20 N·m)
1-1/2	(38.1)	1.00 (25.4)	7.50 (190)	7.87 (200)	4.7 (119)	(M14 x 2)	(9)	F07/M8	125	310 (35 N·m)
2	(50.8)	1.50 (38)	8.50 (216)	9.00 (230)	5.0 (127)	(M16 x 2)	(10)	F07/M8	165	398 (45 N·m)
3	(76.2)	2.56 (65)	11.00 (283)	12.80 (325)	6.5 (164)	(M22 x 2.5)	(15)	F10/M10	350	814 (92 N·m)
4	(101.6)	3.00 (76)	12.00 (305)	12.80 (325)	7.0 (178)	(M22 x 2.5)	(15)	F10/M10	550	973 (110 N·m)
6	(152.4)	3.94 (100)	15.87 (403)	13.78 (350)	7.5 (190)	(27.5)	(17)	F10/M10	765	1106 (125 N·m)

3250 Briarpark Drive, Suite 300
Houston, TX 77042
USA
Tel 1 281 499 8511