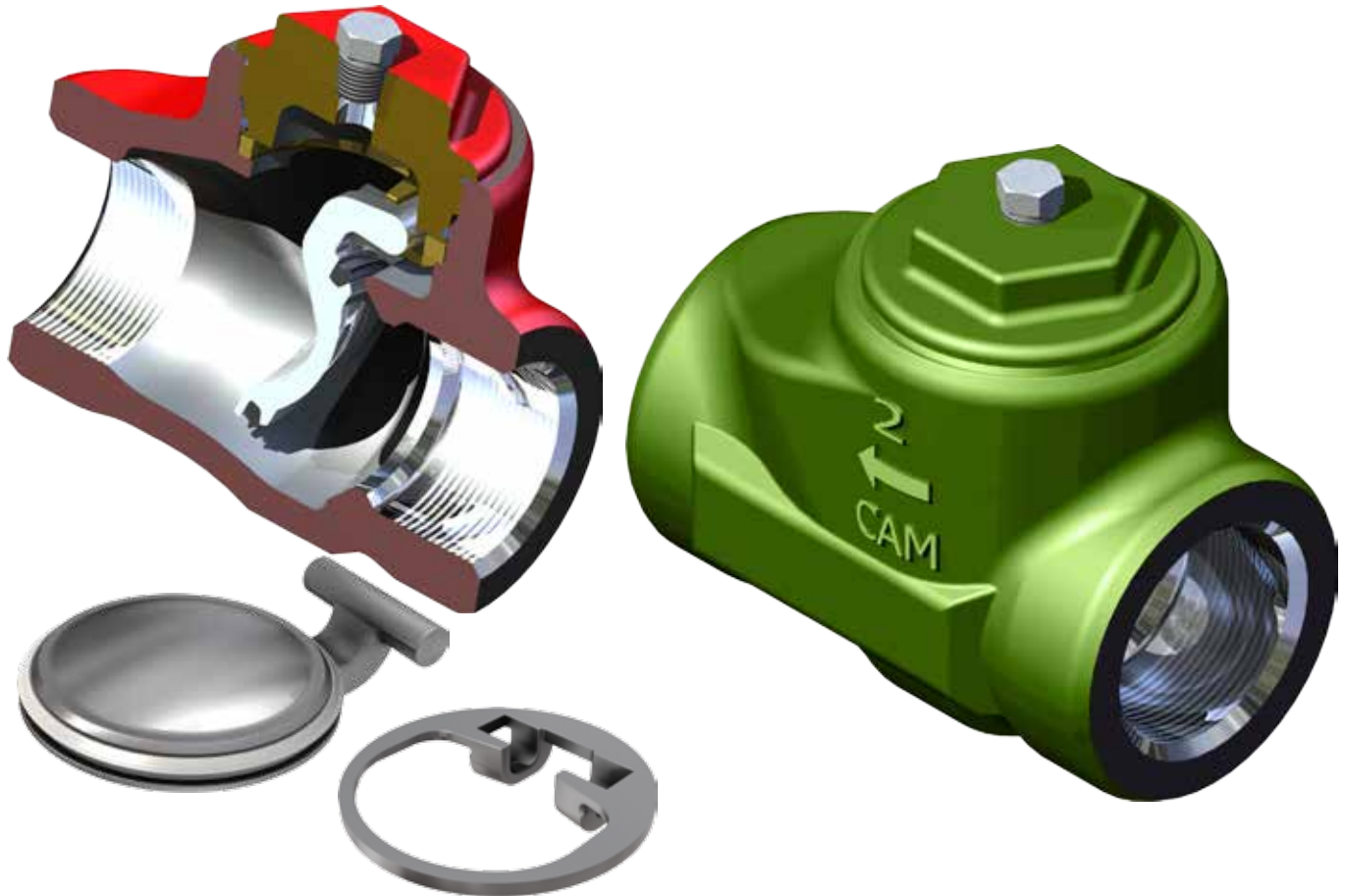


WHEATLEY® Series 822 Check Valves

Designed to safely prevent backflow of liquid or gas in pipeline applications



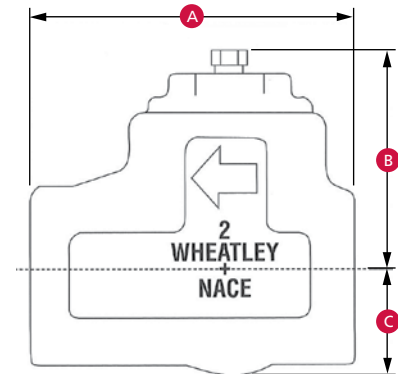
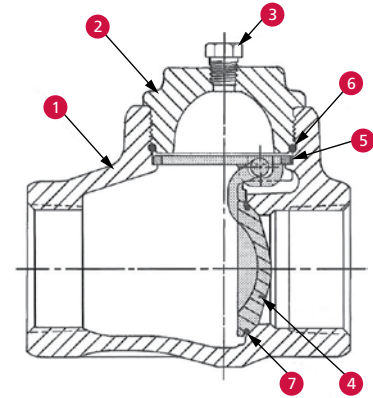
Standard Features

- Designed in accordance with ASME B16.34 (WCC, LCC and CF8M only)
- Materials of construction conform to NACE MR0175/ISO 15156
- Solid 316 stainless steel clapper and hanger reduce the need for separate pins, bushings and rollers
- Compact valve geometry reduces weight and space
- Bevelled, self-aligning clapper and seat design incorporates a molded seal in the clapper for a bubble-tight seal and metal-to-metal secondary seal
- Peroxide-cured Buna-N (FKM and HNBR optional) seals
- Generous wrench area on body and hex-head threaded cover for easier installation and maintenance
- Full opening
- Suitable for horizontal or vertical flow up
- Below-the-threads cover seal isolates the cover threads from line media
- Metal nameplate

WHEATLEY Series 822 Check Valves

Materials List

| Item Number | Part Name | Material Series | | | |
|-------------|-----------------|---|----------------------------|---------------------|----------------------|
| | | Ductile Iron | Carbon Steel | Aluminum Bronze | Stainless Steel |
| 1 | Body | ASTM A395 | ASTM A216 Grade WCC or LCC | ASTM B148 Alloy 955 | ASTM A351 Grade CF8M |
| 2 | Cover | ASTM A216 Grade WCC | ASTM A216 Grade WCC or LCC | ASTM B148 Alloy 955 | ASTM A351 Grade CF8M |
| 3 | Plug | ASTM A105 | ASTM A105/A473-316 | ASTM A473 Type 316 | ASTM A276 Type 304 |
| 4 | Clapper/Arm/Pin | ASTM A351 GRADE CF8M | | | |
| 5 | Hanger | ASTM A351 GRADE CF8M | | | |
| 6 | Cover Seal | 90-Durometer Peroxide-Cured Buna-N (FKM, HNBR Optional) | | | |
| 7 | Clapper Seal | 90-Durometer Peroxide-Cured Buna-N (FKM, HNBR Optional) | | | |



Product Specifications

| Material Series | Valve Size in. | End Connection | Working Pressure | Weight lb | A in. | B in. | C in. |
|-----------------|----------------|----------------|------------------|-----------|--------|-------|---------|
| Ductile Iron | 1 | NPT | 1000-2000 | 4 | 4-1/4 | 2-3/4 | 1-1/8 |
| | 2 | Grooved | 2500 | 9 | 7 | 4-1/4 | 1-13/16 |
| | 2 | Grooved | 2500 | 10 | 9 | 4-1/4 | 1-13/16 |
| | 2 | NPT | 300-2000 | 13 | 6 | 4-1/4 | 1-13/16 |
| | 2 | NPT | 300-2000 | 13 | 7-1/4 | 4-1/4 | 1-13/16 |
| | 3 | Grooved | 2500 | 22 | 10-3/4 | 5-3/4 | 2-1/2 |
| | 3 | NPT | 600-2000 | 23 | 8 | 5-3/4 | 2-1/2 |
| Carbon Steel | 1/2 | NPT | 275-3600 | 4 | 3-1/2 | 2-3/4 | 1-1/8 |
| | 3/4 | NPT | 275-3600 | 4 | 3-1/2 | 2-3/4 | 1-1/8 |
| | 1 | NPT | 275-3600 | 4 | 4-1/4 | 2-3/4 | 1-1/8 |
| | 1-1/2 | NPT | 275-3600 | 10 | 6 | 4-1/4 | 1-13/16 |
| | 2 | NPT | 275-3600 | 13 | 7-1/4 | 4-1/4 | 1-13/16 |
| | 2-1/2 | Grooved | 275-2160 | 11 | 9 | 4-1/4 | 1-13/16 |
| Aluminum Bronze | 3 | NPT | 275-2160 | 28 | 8-3/4 | 5-3/4 | 2-1/2 |
| | 4 | NPT | 275-1440 | 38 | 10 | 6-5/8 | 3 |
| | 1 | NPT | 2160-3600 | 4 | 4-1/4 | 2-3/4 | 1-1/8 |
| | 2 | NPT | 275-3600 | 13 | 7-1/4 | 4-1/4 | 1-13/16 |

Model Number Explanation

| 9D-822 Model | 02 Size | 3 End Connection | 144 Working Pressure | 1 Body | 31 Trim |
|-----------------------|--------------------|------------------|----------------------|---------------------|--|
| 820 - Aluminum Bronze | 50 1/2" (50 mm) | 0 - Socket Weld | 027 - 275 WP | 1 = Carbon Steel | 31 - CF8M SS Clapper/Arm and Hanger, PC Buna Seals 33 - CF8M SS Clapper/Arm and Hanger, FKM Seals 66 - CF8M SS Clapper/Arm and Hanger, HNBR Seals Sour Trim 67 - CF8M SS Clapper/Arm and Hanger, HNBR Seals, Sour Low-Temp. Trim 80 - CF8M SS Clapper/Arm and Hanger, PC Buna Seals, 7-1/4" Length 2": DI Only |
| 822 - Integral Seat | 75 3/4" (50 mm) | 1 - Grooved | 030 - 300 WP | 2 = Ductile Iron | |
| | 01 1" (80 mm) | 3 - NPT Threaded | 060 - 600 WP | 3 = Stainless Steel | |
| | 15 1-1/2" (100 mm) | | 072 - 720 WP | 6 = Aluminum Bronze | |
| | 02 2" (150 mm) | | 100 - 1000 WP | | |
| | 25 2-1/2" (200 mm) | | 150 - 1500 WP | | |
| | 03 3" (250 mm) | | 144 - 1440 WP | | |
| | 04 4" (300 mm) | | 200 - 2000 WP | | |
| | | | 216 - 2160 WP | | |
| | | | 360 - 3600 WP | | |

EXAMPLE
 9D-822-023144-131 = 2" NPT Threaded-Swing Carbon Steel Check Valve with Stainless Trim and Peroxide-Cured Buna-N Seals

Parts Replacement Kits

| Material Series | Order Number | Valve Size in. |
|-----------------|--------------------|----------------|
| Ductile Iron | 9D-820-01020*- DIK | 1 |
| | 9D-820-02020*- DIK | 2 |
| | 9D-820-03020*- DIK | 2-1/2 |
| | 9D-820-03020*- DIK | 3 |
| | 9D-820-04010*- DIK | 4 |
| Carbon Steel | 9D-820-01036*- CSK | 1/2, 3/4, 1 |
| | 9D-820-02021*- CSK | 1-1/2 |
| | 9D-820-02021*- CSK | 2 |
| | 9D-820-03021*- CSK | 2-1/2 |
| | 9D-820-03021*- CSK | 3 |
| Aluminum Bronze | 9D-820-04014*- CSK | 4 |
| | 9D-820-01036*- ABK | 1 |
| | 9D-820-02021*- ABK | 2 |

Replace * with a "B" for Buna-N seals, a "V" for FKM seals or "H" for HNBR. Parts kit includes Item numbers 4, 6 and 7.

3250 Briarpark Drive, Suite 300
 Houston, TX 77042
 USA
 Tel 1 281 499 8511